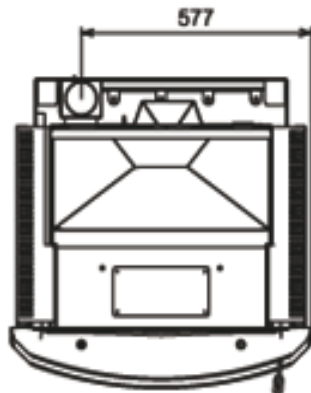
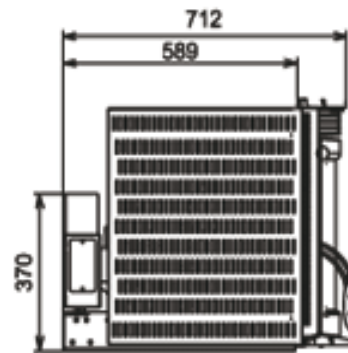
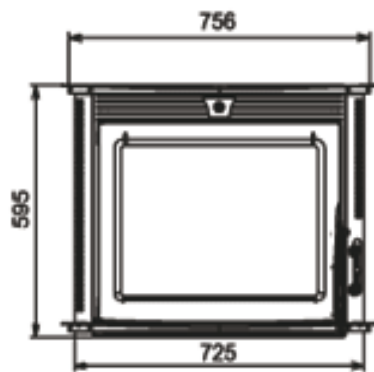




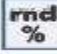








Thermorossi Insert 60
Price includes VAT
€2,999.00



The hopper capacity is less important as the heater can be re-fuelled while it is operating; however, **ECOTHERM INSERT**, with its 22 kg hopper, will burn all day on a single load of pellets. Alternatively, a feed chute can be inserted on the side or front of the smoke hood. **ECOTHERM INSERT** is fitted with telescopic guides which allow you to slide it out completely in order to facilitate loading the pellets.





	Dimensions (HxWxD)	(mm)	490x681x500
	Heated area	(m3)	216
	Electric consumption (min/max)	(W)	65-130
	Combustion efficiency up to max.		86%
	Min. flue draught pressure	(mbar)	0,09
	High temperature safety thermostat		•
	Flue gas exhaust diameter	(mm)	80
	Pellet hopper capacity	(kg)	12
	Hourly pellet consumption (min/max)	(kg/h)	0,7-2,1*
	Remote control		•
	Radio control with room temperature thermostat		•
	Voice function		•
	Noise at min.	(db)	36
	Forced ventilation		•
	5 levels of temperature control		•
	Weekly programmer		•
	Weekly programmer		optional
	G.S.M. Modem system.		optional
	Weight	(kg)	113
	Power to the hearth	(kW)	3-9