

Thermorossi Insert 49
Price includes VAT

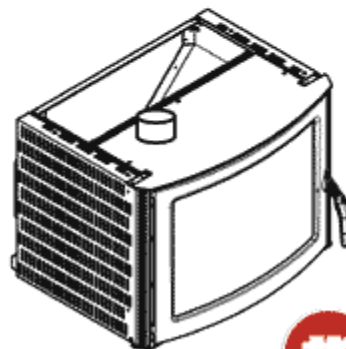
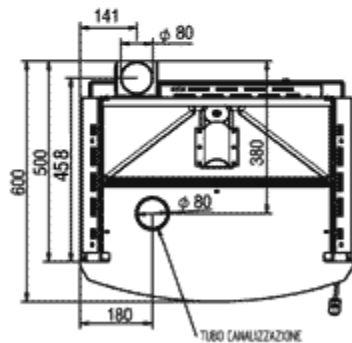
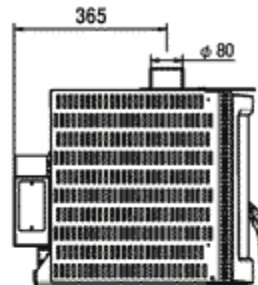
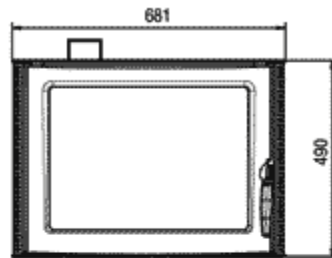
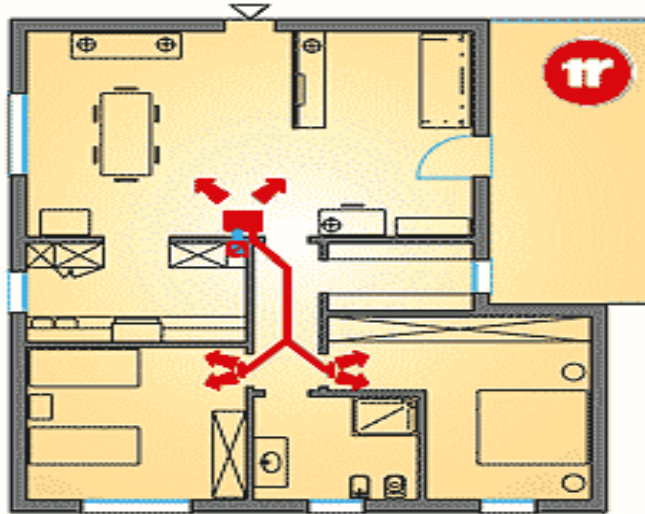
€2,999.00



ECOTHERM INSERT 49 WITH HOT AIR CHANNELLING SYSTEM is the ideal solution for those who wish to make use of an existing, unused fireplace, for those who can't resist the charm of a fireplace but want the convenience of a pellet heater. With its 490 mm height and 500 mm depth it is the most compact appliance in its category, yet, by simply channeling the hot air it produces, it manages to heat several rooms. The hopper capacity is less important as the heater can be re-fuelled while it is operating; however, ECOTHERM INSERT, with its 12 kg hopper, will burn all day on a single load of pellets. Alternatively, a feed chute can be inserted on the side or front of the smoke hood. ECOTHERM INSERT is fitted with telescopic guides which allow you to slide it out completely in order to facilitate loading the pellets.



There is currently an SEI grant available to homeowners for €800 on approved Wood Pellet Stoves



	Dimensions (HxWxD)	(mm)	490x681x500
	Heated area	(m³)	216
	Electric consumption (min/max)	(W)	65-130
	Combustion efficiency up to max.		86%
	Min. flue draught pressure	(mbar)	0,09
	High temperature safety thermostat		•
	Flue gas exhaust diameter	(mm)	80
	Pellet hopper capacity	(kg)	12
	Hourly pellet consumption (min/max)	(kg/h)	0,7-2,1*
	Remote control		•
	Radio control with room temperature thermostat		•
	Voice function		•
	Noise at min.	(db)	36
	Forced ventilation		•
	5 levels of temperature control		•
	Weekly programmer		•
	Weekly programmer		optional
	G.S.M. Modem system.		optional
	Weight	(kg)	113
	Power to the hearth	(kW)	3-9